

# NI71-N

## Sensor Node

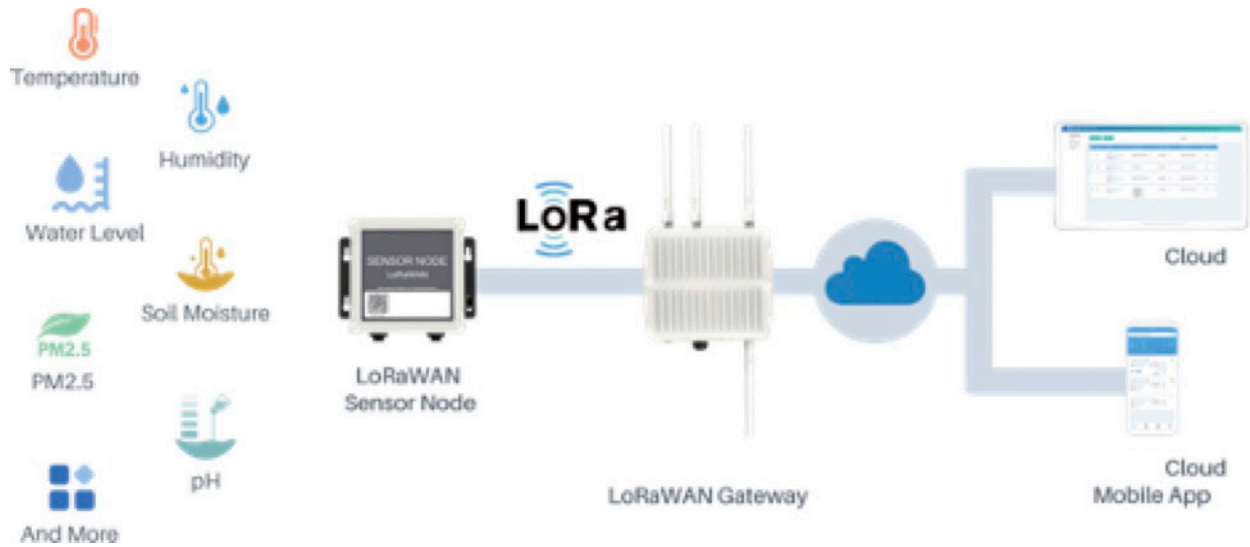
Multi-interface Platform  
for Connecting Sensors



## Features

- IP67 waterproof for harsh environments
- Multiple interfaces including serial and I/O
- Up to 11km communicate range
- Standard LoRaWAN v1.0/v1.0.2 protocol support
- Multiple power supply option: battery, DC or solar
- 5 years life under LoRaWAN Class A mode

## Application Example

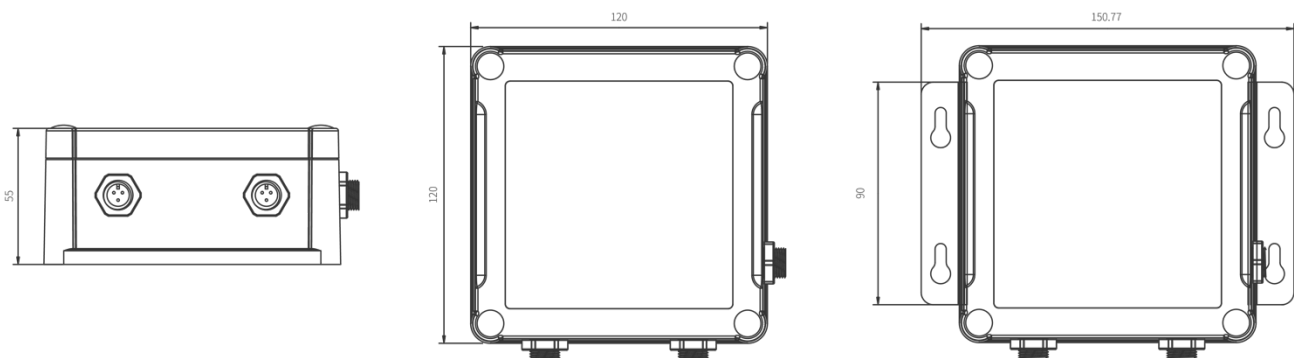


## Specifications

LoRaWAN	
Frequency	EU433/CN470/IN865/EU868/RU864/US915/AU915/KR920/AS923
Tx Power	20dBm
Sensitivity	-147dBm @300bps
Mode	OTAA/ABP
Interfaces	
Interface Type	M12 A-Coded Male
IO	
Ports	2 × GPIO
Logical Level	Low: 0~0.9V, High: 2.5~3.3V
Work Mode	Digital input, Digital output, Pulse Counter (only GPIO2 supported in N1-DC)
Serial Port	
Ports	1 × RS232 or RS485 (Switchable)
Baud Rate (bps)	1200, 2400, 4800, 9600, 57600, 115200
Protocol	Transparent (RS232), Modbus RTU (RS485)
Analog Input	
Ports	2 × Analog input
Resolution	12 bit

Input Range	4~20mA or 0~10V (Switchable)
<b>Power Output</b>	
Ports	2 × 3.3 V, 2 × 5/9/12 V (Switchable)
<b>Configuration Interface</b>	
Ports	1 × USB
<b>Physical Characteristics</b>	
Operating Temperature	-20°C to +70°C
Ingress Protection	IP67
Dimension	120.1 × 120.1 × 55.4 mm (4.73 × 4.73 × 2.18 in)
Power Input	1. 19000mAh replaceable Li-SOCL2 battery 2. 5-24 VDC with 4900mAh battery backup
Power Connector (DC version)	M12 A-Coded 4-pin Male

## Dimensions (mm)



Next Industries srl

Via G. Di Vittorio 2F, 20065 INZAGO (MI) - Italy

Phone: +39-02-95764356

Website: [www.nextind.eu](http://www.nextind.eu)

Email: [info@nextind.eu](mailto:info@nextind.eu)



Rev. 0 September 2020  
Written by: R&D and MKT  
Approved by: CEO